

Brief introduction

- Corelogic can provide the broadest XDSL splitter solution for XDSL communication technology.
- CLSP-008M2 is a highly integrated ADSL2+ over POTS splitter. It separates line signal from subscriber side into voice signal for telephone and ADSL signal for ADSL modem.
- CLSP-008M2 has been designed for both indoor desktop application with three RJ11 ports (LINE, MODEM, PHONE) and indoor wall-mounting with two open holes. Moreover, it can be installed in outdoor small MDF matrix with 6-pole terminal block.
- Complies with many kinds of standards, Especially for Asia Market.
- With high cost performance.

Electrical specification

Impedance		Z=600Ω
Attenuation	30-300KHz	65dB(min)
	300-2208KHz	55dB(min)
Insertion Loss	1020Hz	0.3dB(min)
Return Loss	300-500Hz	14dB(min)
	500-2000Hz	18dB(min)
	2000-3400Hz	14dB(min)
Longitudinal Conversion Loss	0.2-1.0KHz	58dB(min)
	1.0-3.0KHz	53dB(min)
Group Delay Distortion	500-2800Hz	150uS(max)
DC resistance		25Ω (max)
Ring Voltage		0~105 V
DC Current		0~100mA

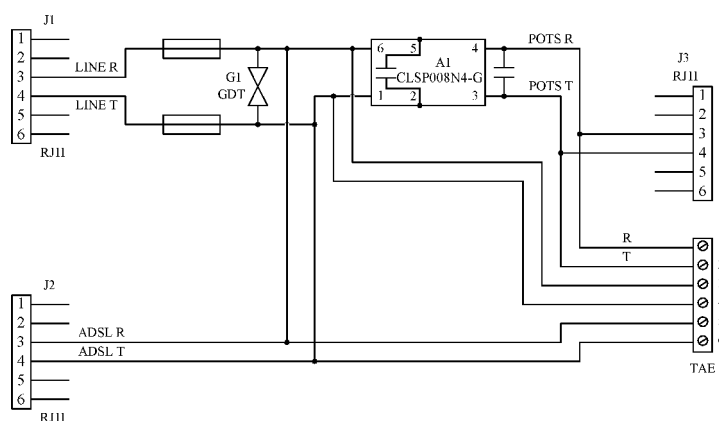
CLSP-008M2



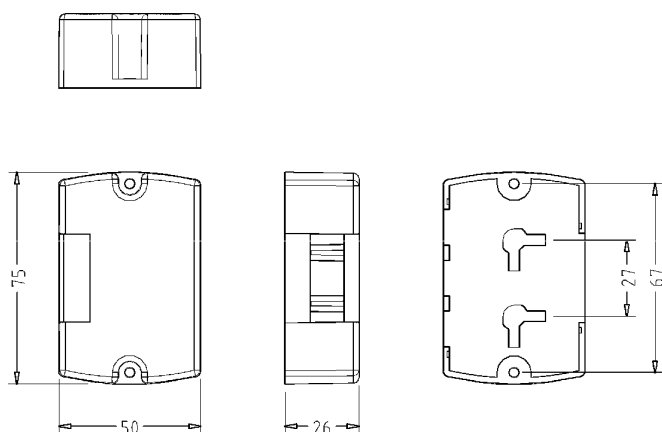
Standard complied

- ITU-T G.992.1
- ITU-T G.992.5 - Asymmetrical digital subscriber line transceivers
- ANSI T 1.413 - Network and customer installation interface - ADSL metallic interface
- ETSI TR 101 952-1-1
- ITU-T K.21 (2003)
- RoHS compliant

Circuit Diagram



Outline Dimensions



Interface definition

Function	Type	Tip	Ring
Line	RJ11	Pin4	Pin3
ATU-R Modem	RJ11	Pin4	Pin3
Phone	RJ11	Pin4	Pin3